



SANILAC COUNTY HEALTH DEPARTMENT

171 DAWSON STREET-STE 123, SANDUSKY, MI 48471

Bryant Wilke, R.S., M.P.H., Health Officer

Mustafa Mark Hamed, M.D., M.P.H., Medical Director

Telephone: (810) 648.4098

Fax: (810) 648.2646

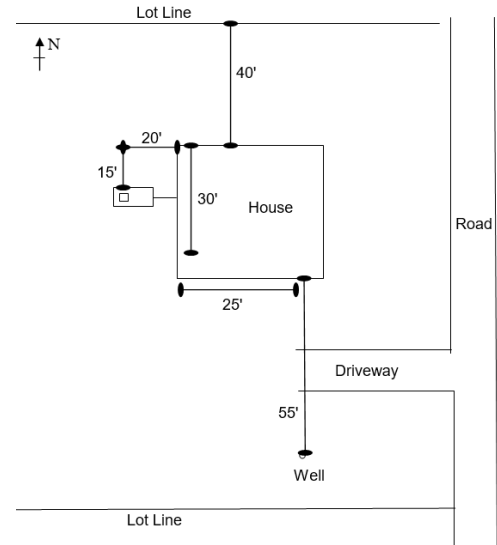
Protecting and Promoting Health for Sanilac County Citizens since 1937

Visit our Website at www.sanilachealth.com

EXAMPLE OF ACCEPTABLE SITE SKETCH

Provide a sketch which includes: house, septic tank, well, road and driveway locations; plus any other feature which may help to locate the abandoned tank/s, such as distance from lot lines. Indicate north direction.

Include two measurements at right angles as shown for the distances from house to tank/s, and from the well to house and/or well to tank. Measure to the handle of the outlet lid on the tank, and to the corner of the pipe in the field. Note that enough measurements must be made to easily locate the abandoned tank/s.



The affidavit will not be accepted without a properly completed drawing. Contractor may use this sheet or submit acceptable site sketch on another sheet; however, addresses and signature with date is required.

Address: _____

Signed: _____

Date: _____

Printed Name: _____